

# SPARK

## SMALL CNC PLASMA CUTTING TABLE



**Design for homemade worker! COMPACT, SMART, AFFORDABLE. Spark takes its advantages to the limit.**

CNC plasma cutting machine, Spark, which is designed for workshop, homeshop metal works.

If you have such a working scene, for small parts production, furniture decoration or any other metal works, you will definitely need this compact, high efficient and affordable tool for work shop.

### Standard configuration



**Cutting function:**  
Air plasma cutting



**Cutting Size:**  
600\*600mm OR 600\*1200mm



**Running speed:**  
1-6,000 mm/min

### Multiple choices

*We have professional CNC instructors to help you analyze and sort out your cutting needs, and provide you with the most reasonable solution!*

- **Cutting size**

Two standard models are optional:  
600\*600mm, 600\*1200mm

- **Cutting mode**

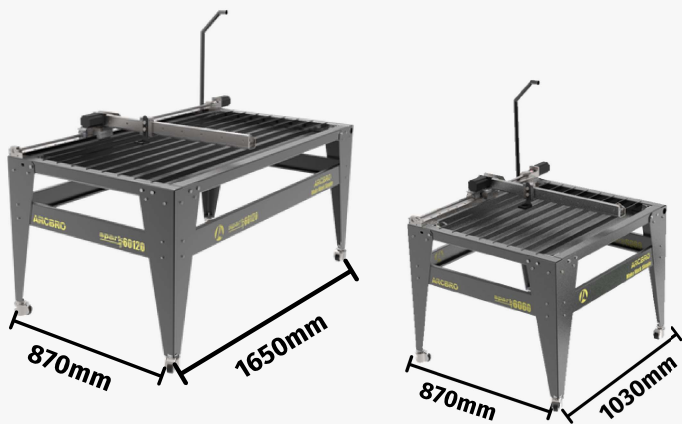
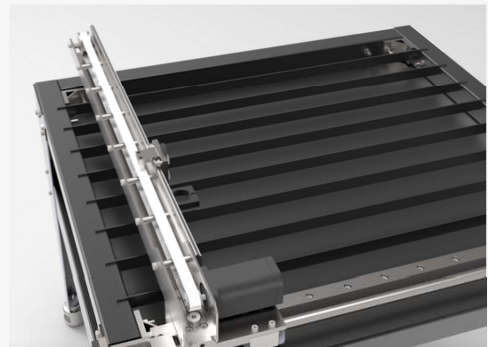
Plasma mode



## Easy Operation, Simple Installation

## Fast and Smooth cutting

ArcBro use Ball Screw Transmission in Y axis, and Belt Transmission in X axis to achieve fast and smooth cutting. The ball screw and belt are both good to minimize machine vibration in cutting. To promise good cutting surface.

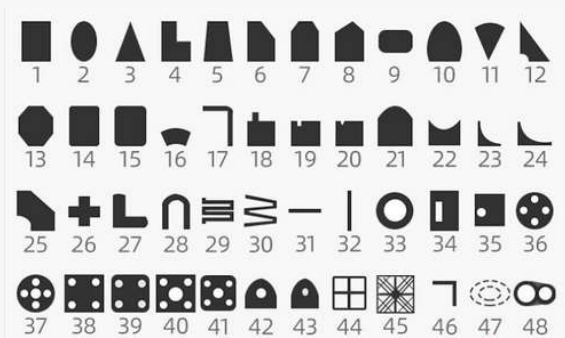


## Compact Solution

SPARK is a small dimension machine, taking area of 870\*1030mm or 870\*1650mm, similar size as your tool box. So, it can perfectly fit in your place.

## Comprehensive Gallery

Easy operation. spark control system comes with graphics library. Cut 45 kinds of graphics with one button. And customized graphics can be imported with usb.



## SPECIFICATIONS

Type	SPARK
Effective Area (mm)	600*600mm, 600*1200mm
Machine Size	870*1030mm, 870*1650mm
Input Voltage	Single phase, 110/220V
Power Frequency	50/60Hz
Cutting Mode	Plasma Cut
Driver Motor	Smart Step Drives
Running Speed	1-6,000mm/min
Tolerance	<0.2mm
Shape Library	Yes
Height Control	Manual adjustment
Language	English, Chinese, Spanish, Russian, French, Japanese, Czech and Slovenia, etc.
Software	FastCam Professional Portable
Temperature	1-40°C (34-104°F)

## ARCBRO SUPPORT

### ARCBRO LEARN CAMPUS

*Learn the machines before you get them.*

Make the work simple! View ARCBRO learn campus online to learn the machines before you get them. ARCBRO learn campus is a online CNC plasma cutting training program in the industry. It takes our customers through a series of knowledgeable and concise videos and files to give them in-depth training and technical instruction. These videos will take even your newest operator to an expert level in no time. They were formulated with our customers at the forefront of our minds, which has transcended into fast and effective training for many different markets, such as: education, metal art, custom automotive part fabrication, and many others. Link: <https://www.arcbro.com/learning-campus/>



### ARCBRO TROUBLESHOOTING

*You can buy any arcbro product without any hassle!*

All our products have a precise and reliable manufacturing quality inspection system. In addition, all products have a one-and-a-half year warranty and are accompanied by the best after-sales protection system in China. Multilingual professional engineers perform online machine diagnostics in 24 hours. We bear the cost of any parts failure or damage during the warranty period and you only need to pay the shipping cost.

In addition, you can easily find all the after-sales solutions you may need on our official website. We have organized the questions that customers have asked us when using the machine for many years, and gave answers in detailed but easy to understand words to help you solve the problem as quickly as possible.

Want to know more, just browse our official website, click support, enter Arcbro troubleshooting system. Link: <https://www.arcbro.com/troubleshooting/>

